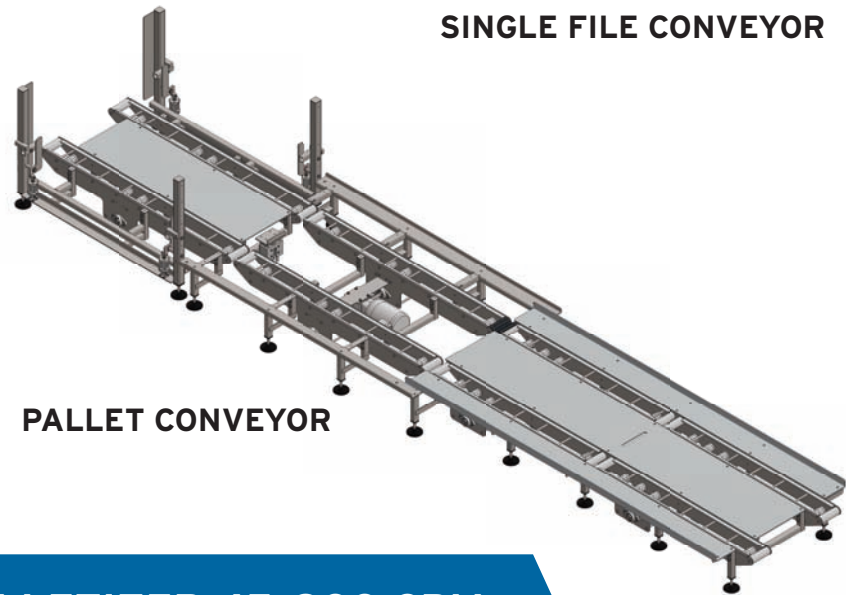


**DE-PALLETIZER**



**60" MASS FLOW**

**SINGLE FILE CONVEYOR**



**PALLET CONVEYOR**

**CRAFTBULK DE-PALLETIZER 45-800 CPM**