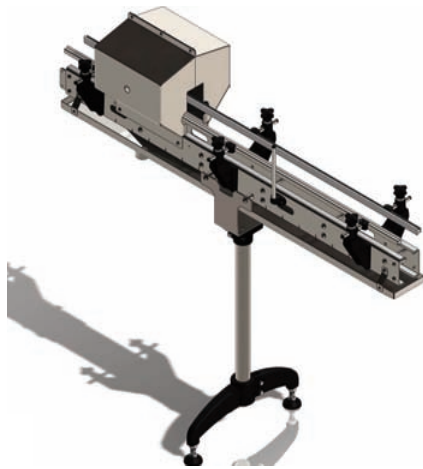




3' DRIVE



**5' POST FILL RINSER
INTERMEDIATE**



5' INTERMEDIATE



90 CURVE



3' INTERMEDIATE



3' IDLER



3 LANE

3.25 TTC STAINLESS STEEL CONVEYANCE