

PALMER CANNING SYSTEMS



G2 CARRIER APPLICATOR

UP TO 500 CANS PER MINUTE



**MADE IN
USA**

- Continuous Feed Design
- Compression Applied
- Servo Driven
- Wash Down Design
- UL/CE/CSA electrical and safety compliance
- 4/6/8 packing - 2 across
- Runs standard 202/211 cans or 202/204 sleek can with change parts
- Manual lift for can height changes: 12, 16, 19.2 and 22 ounce standard volumes

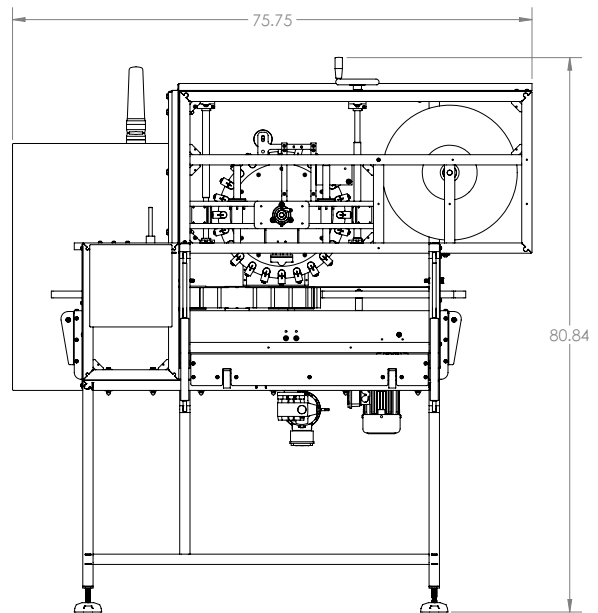
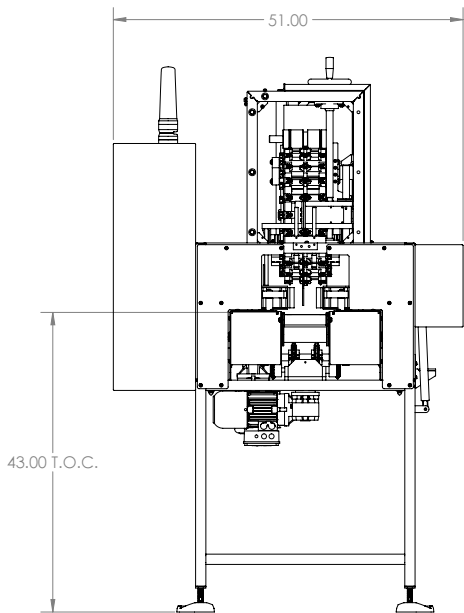
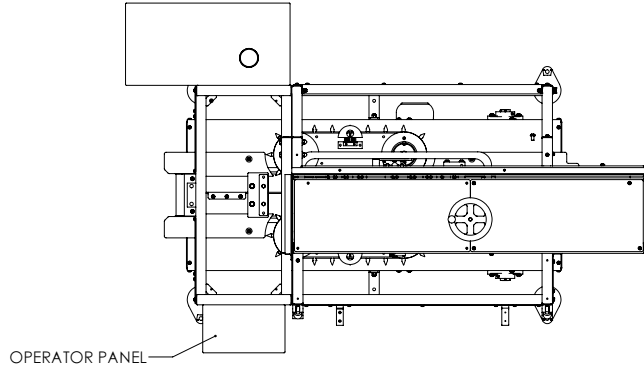


CORPORATE
3759 N. Ravenswood Avenue
Suite 233
Chicago, IL 60613

www.palmercanning.com
+1 (773) 394-4913
info@palmercanning.com

MANUFACTURING
3204 Olympia Drive
Suite A & B
Lafayette, IN 47909

WAVEGRIP G2 APPLICATOR



CORPORATE
3759 N. Ravenswood Avenue
Suite 233
Chicago, IL 60613

www.palmercanning.com
+1 (773) 394-4913
info@palmercanning.com

MANUFACTURING
3204 Olympia Drive
Suite A & B
Lafayette, IN 47909