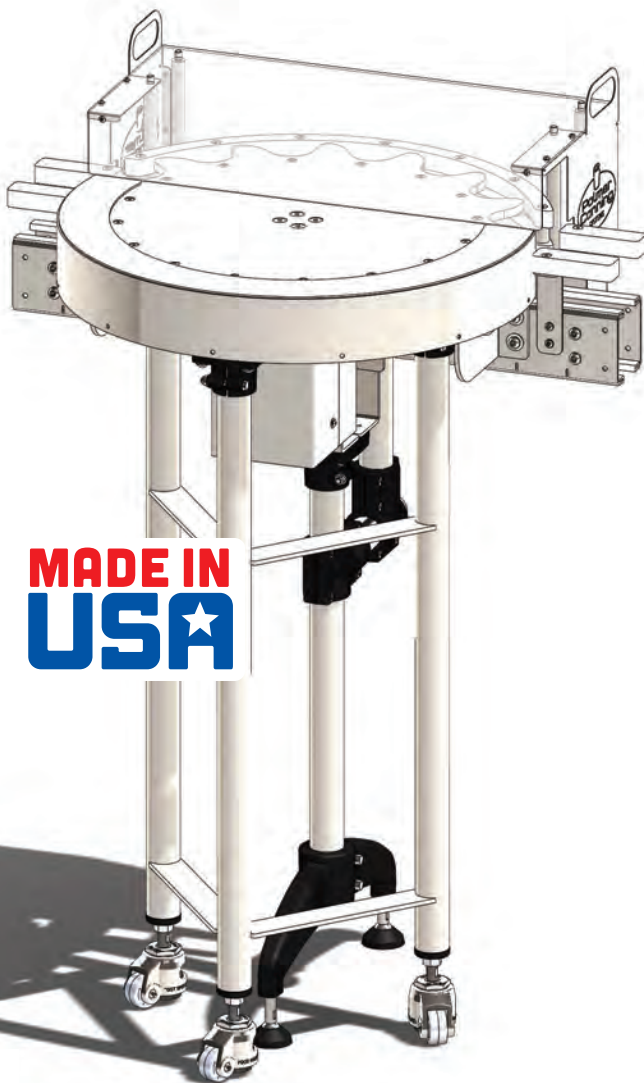


DATE CODE WHEEL

QUALITY RESOLUTION AND 100% COVERAGE FOR
BOTTOM OF THE CAN DATE CODE PRINTING



Benefits:

- Spacing and accuracy for higher resolution printing
- Increased production coverage

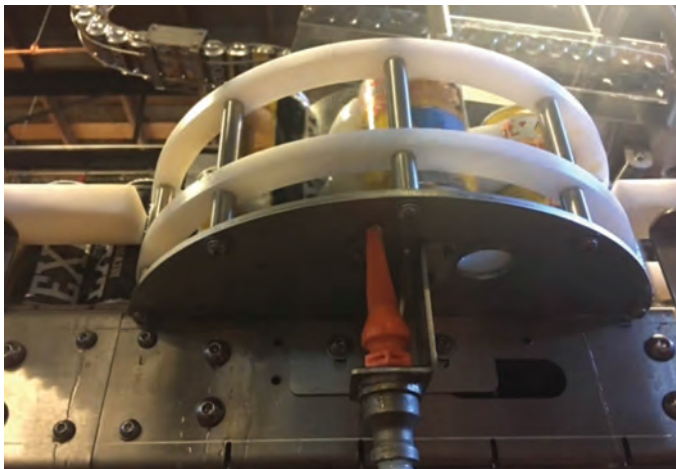
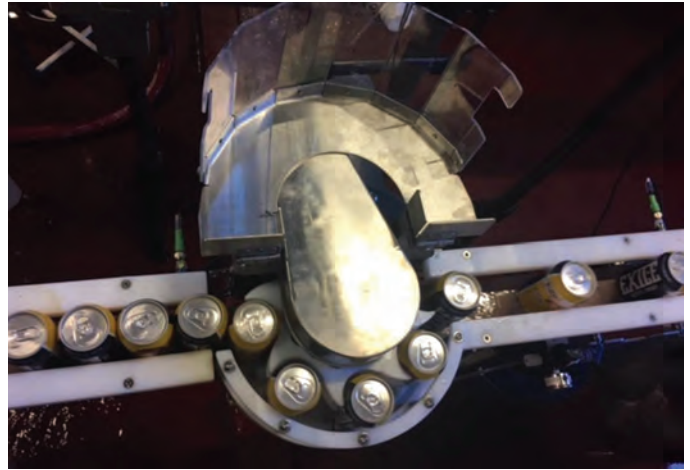
Features:

- Up to 200 cans per minute
- Servo driven starwheel
- Electrical control package
- Wash down design
- Safety guarding
- Easy to install and use
- Electrical: 230 Volt/60 HZ/3 Phase
- NEMA 4X panel
- UL list electrical

Notes:

- Does not include printer
- Correct conveyance required
- Must be placed downstream before multi-packer

DATE CODE WHEEL



CORPORATE
3759 N. Ravenswood Avenue
Suite 233
Chicago, IL 60613

www.palmercanning.com
+1 (773) 394-4913
info@palmercanning.com

MANUFACTURING
3204 Olympia Drive
Suite A & B
Lafayette, IN 47909