

PROPURGE™

CAN FILLING VALVES

**MADE IN
USA**



Features:

- Purge to atmosphere technology
- Fluid flow nozzle
- Separate snifter port
- Valve screen
- Check ball gas tube
- Bayonet type CIP cap

Benefits:

- Low oxygen in solution less than 25 ppb
- Accurate fill levels within +/- 2ml of nominal
- Lowers CO² consumption reduced foaming
- Less fill agitation
- No product in snifter block
- Positive valve shutoff

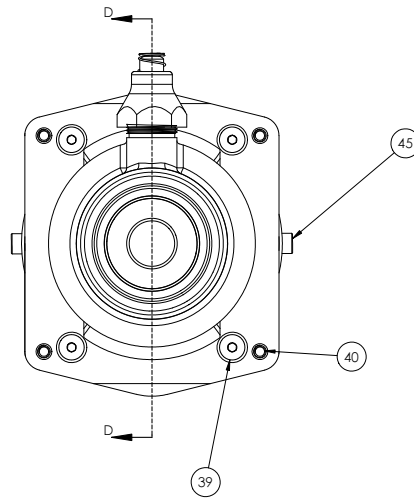
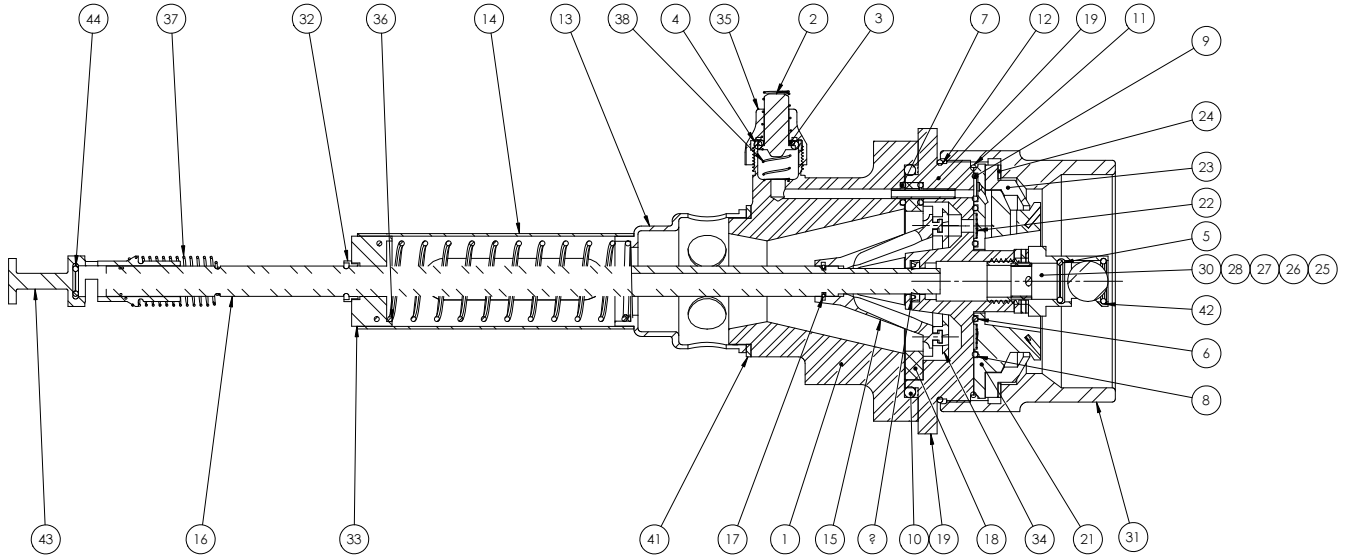


CORPORATE
3759 N. Ravenswood Avenue
Suite 233
Chicago, IL 60613

www.palmercanning.com
+1 (773) 394-4913
info@palmercanning.com

MANUFACTURING
3204 Olympia Drive
Suite A & B
Lafayette, IN 47909

PROPURGE™ CAN FILLING VALVES



CORPORATE
3759 N. Ravenswood Avenue
Suite 233
Chicago, IL 60613

www.palmercanning.com
+1 (773) 394-4913
info@palmercanning.com

MANUFACTURING
3204 Olympia Drive
Suite A & B
Lafayette, IN 47909