



# G2 CARRIER APPLICATOR

UP TO 500 CANS PER MINUTE



**MADE IN  
USA**

- Continuous Feed Design
- Compression Applied
- Servo Driven
- Wash Down Design
- UL/CE/CSA electrical and safety compliance
- 4/6/8 packing - 2 across
- Runs standard 202/211 cans or 202/204 sleek can with change parts
- Manual lift for can height changes: 12, 16, 19.2 and 22 ounce standard volumes

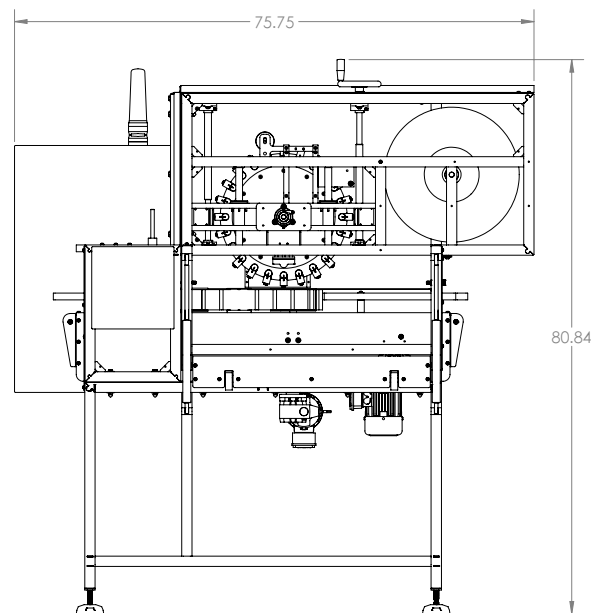
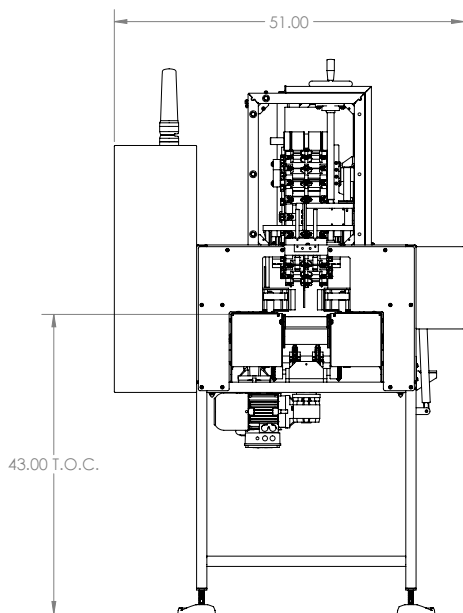
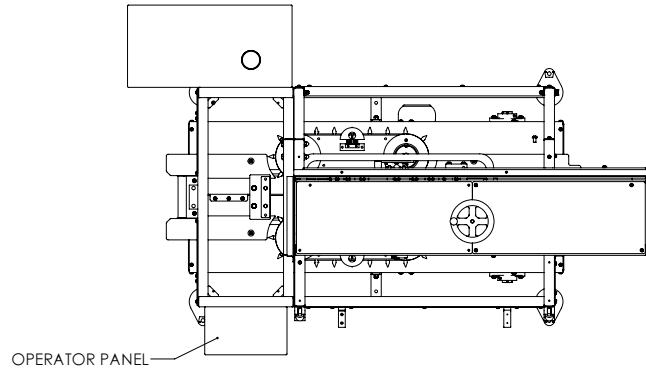


CORPORATE  
3759 N. Ravenswood Avenue  
Suite 233  
Chicago, IL 60613

[www.palmercanning.com](http://www.palmercanning.com)  
+1 (773) 394-4913  
[info@palmercanning.com](mailto:info@palmercanning.com)

MANUFACTURING  
3204 Olympia Drive  
Suite A & B  
Lafayette, IN 47909

# WAVEGRIP G2 APPLICATOR



CORPORATE  
3759 N. Ravenswood Avenue  
Suite 233  
Chicago, IL 60613

[www.palmercanning.com](http://www.palmercanning.com)  
+1 (773) 394-4913  
[info@palmercanning.com](mailto:info@palmercanning.com)

MANUFACTURING  
3204 Olympia Drive  
Suite A & B  
Lafayette, IN 47909