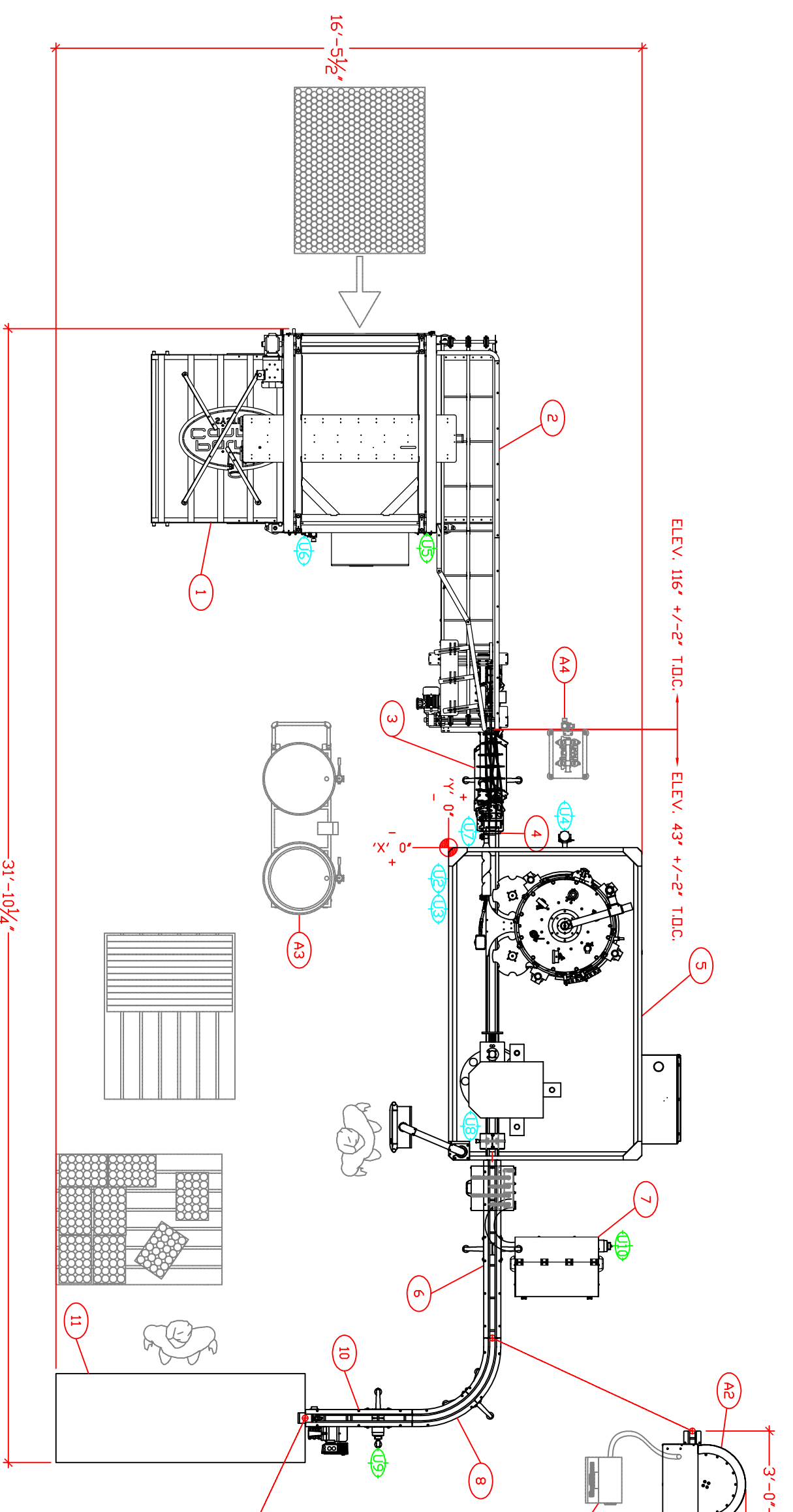


UTL. NO.	X' DIMENSION	Y' DIMENSION	CONNECTION HEIGHT	CONNECTION TYPE
U1	8'-9 1/2"	-0'-0 3/4"	81.00"	230/480VAC-3PH
U2	-0'-6 1/4"	-0'-0 3/4"	24.00"	012
U3	-0'-6 1/4"	-0'-0 3/4"	24.00"	AIR 90P.S.I.
U4	-0'-6"	3'-3 1/4"	4.00"	1 1/2" TRI-CLAMP (INLET)
U5	-9'-1 1/4"	-0'-5"	131.00"	230/480VAC-3PH
U6	-9'-1 3/4"	-4'-1 1/2"	68.00"	AIR 90P.S.I.
U7	-1'-1 3/4"	0'-9 3/4"	97.00"	AIR 90P.S.I.
U8	10'-7 1/2"	1'-9"	48.00"	1/2" FNPT VALVER 60P.S.I.
U9	17'-6"	-1'-11 3/4"	34.00"	230/480VAC-3PH
U10	11'-3 1/4"	3'-0 3/4"	48.00"	230/480VAC-3PH



ITEM NO.	PART NUMBER	DESCRIPTION	QTY.
A5	100000	4-6-8 WAVEGRIP APPLICATOR	1
A4	400010	SIS PUMP STAND ASSEMBLY	1
A3	400032	C.I.P. CART	1
A2	310070	INDEXING DATE CODER	1
A1	310270	WEIGHT CHECKER	1

ITEM NO.	PART NUMBER	DESCRIPTION	QTY.
1	710000	CRAFTBLK DE-PAL	1
2	310230	18MTC x 11' DISCHARGE CONVEYOR	1
3	310310	3' IDLER W/COVER	1
4	310010	3' IDLER RINSER - STANDARD	1
5	500000	12/1 CRAFTBLDC FILLER	1
6	310068	50CPM 5' P.F.R. FRAME	1
7	310067	2.5HP BLOWER STAND	1
8	310040	90° CURVE	1
9	310050	3' DRIVE	1
9	310550	CASING TABLE 30" X 84"	1

12-1 CRAFTBLDC FILLER FILLING LAYOUT

PAKAGE CANNING, INC.
 10000 S. STATE ST. SUITE 213
 P.O. BOX 213
 WYOMING, WY 82001-0213
 TEL: 307-734-4922 FAX: 307-734-4923

DATE	BY	REVISION

DATE	BY	REVISION

SIZE: Dwg. No. 500003
 SCALE: WEIGHT: SHEET 1 OF 1

IMPORTANT AND OPERATIONAL INFORMATION:
 THE INFORMATION CONTAINED IN THIS DRAWING IS THE SOLE PROPERTY OF PAKAGE CANNING, INC. AND IS NOT TO BE REPRODUCED OR TRANSMITTED IN ANY FORM OR BY ANY MEANS, ELECTRONIC OR MECHANICAL, INCLUDING PHOTOCOPYING, RECORDING, OR BY ANY INFORMATION STORAGE AND RETRIEVAL SYSTEM, WITHOUT THE WRITTEN PERMISSION OF PAKAGE CANNING, INC.