



G2 CARRIER APPLICATOR

UP TO 300 CANS PER MINUTE



- Continuous Feed Design
- Compression Applied
- Wash Down Design
- UL/CE/CSA electrical and safety compliance
- Allen Bradley PLC
- 4/6/8 packing - 2 across

- Runs standard 202/211 cans or 202/204 sleek & slim can with change parts
- Manual lift for can height changes: 12, 16 and 19.2 ounce standard volumes
- 24/7 Service & Support
- 3 Year Limited Warranty

CORPORATE

3759 N. Ravenswood Ave.
Suite 223
Chicago, IL 60613

CONTACT

www.palmercanning.com
+1 (773) 394-4913
info@palmercanning.com

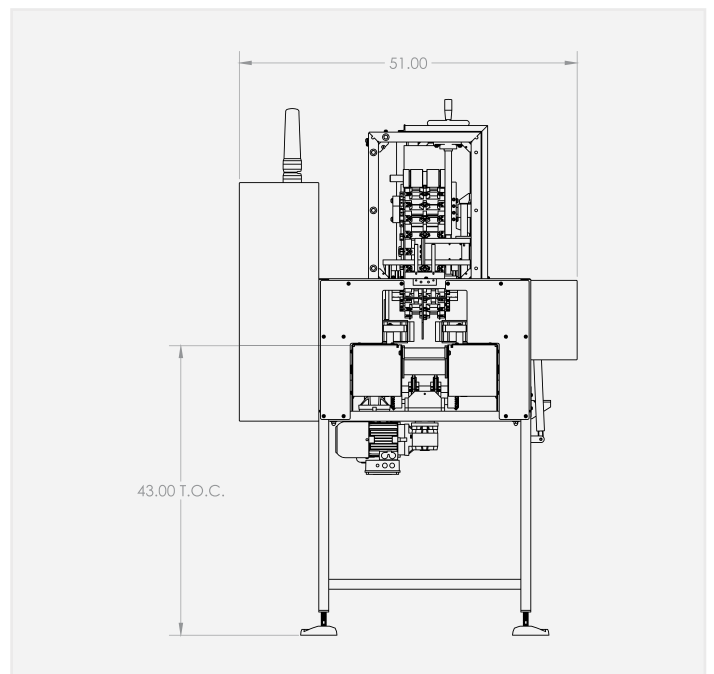
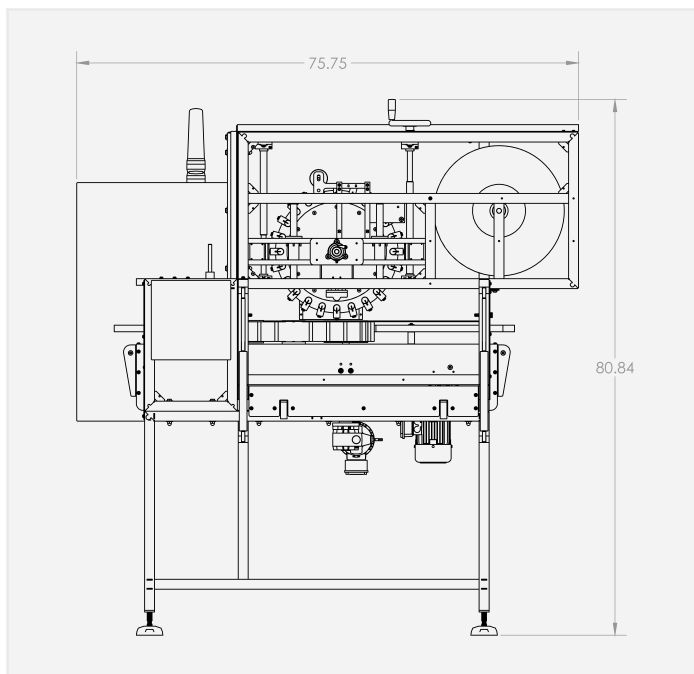
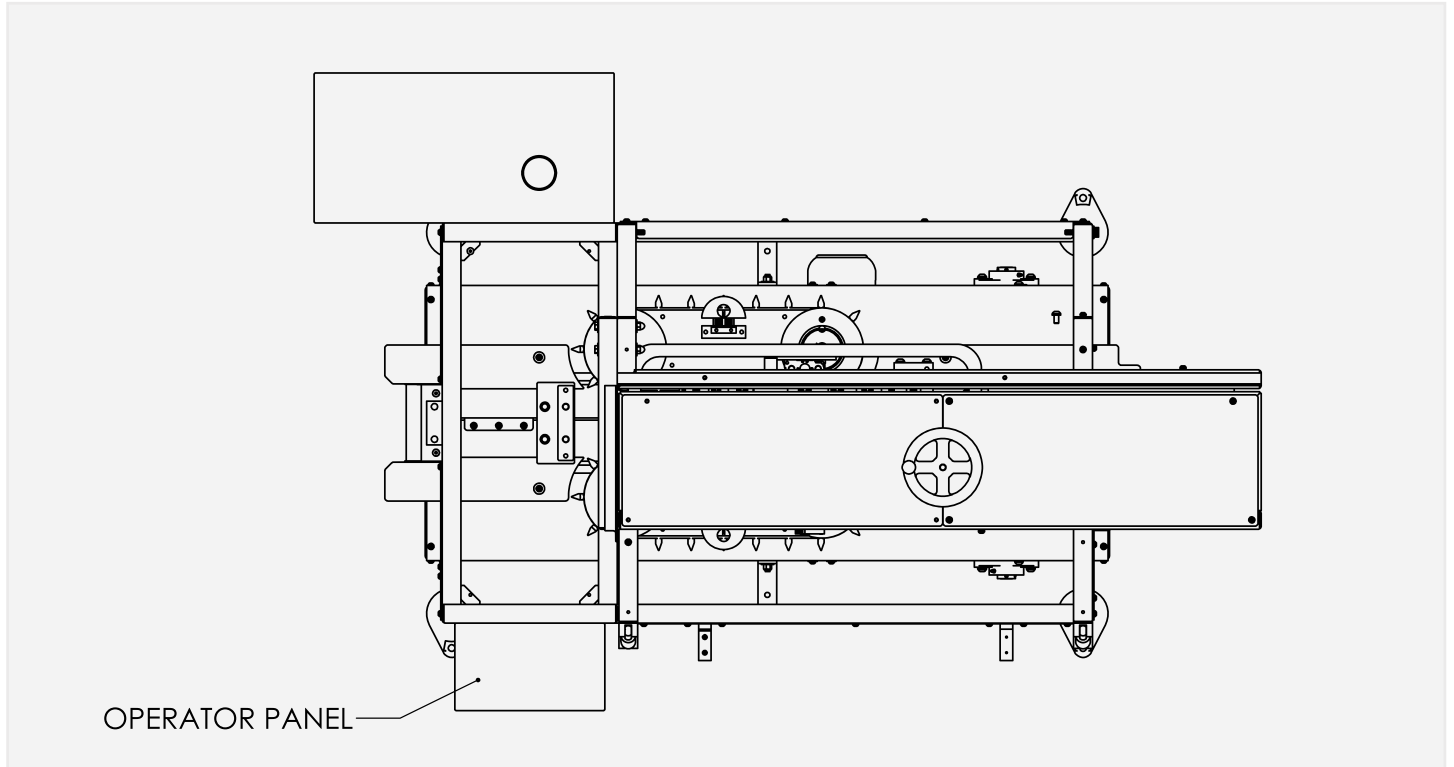
MANUFACTURING

3204 Olympia Drive
Suite A & B
Lafayette, IN 47909





WAVEGRIP G2 APPLICATOR



CORPORATE

3759 N. Ravenswood Ave.
Suite 223
Chicago, IL 60613

CONTACT

www.palmercanning.com
+1 (773) 394-4913
info@palmercanning.com

MANUFACTURING

3204 Olympia Drive
Suite A & B
Lafayette, IN 47909

